

●●● MD-TV PUMP RANGE



 **BUCCANEER**  
PUMPS



# ●●● MD-TV PUMP RANGE



## PUMP FEATURES

### BEARING ASSEMBLY:

- GREASE LUBRICATED AND SEALED WITH LABYRINTHS AND V-SEALS.
- THE UPPER AND LOWER BEARINGS ARE GREASE PURGED.
- TAPER ROLLER BEARINGS ARE USED ON DRIVE AND NON-DRIVE END BEARINGS.

### IMPELLER:

- OPEN 5-VANE TOP SUCTION IMPELLER DESIGN ENABLES THE HANDLING OF LARGE SOLIDS.

### STRAINER:

- EASE OF MAINTENANCE DESIGN WITH QUICK RELEASE COTTERS.

### CASING:

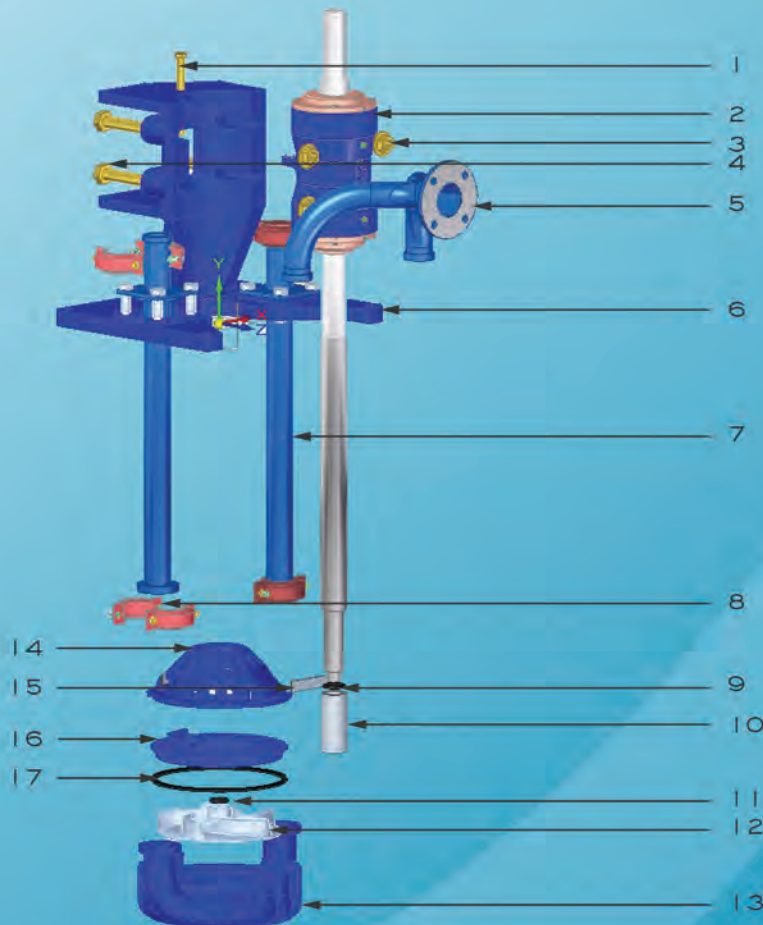
- SALVIC JOINTS AND TWO QUICK RELEASE COTTERS ARE USED TO LOCK THE CASING IN PLACE, ALLOWING FOR EASE OF MAINTENANCE.

## DESIGN CHARACTERISTICS

THE MD-TV PUMP RANGE IS SUITED TO ALL SUMP APPLICATIONS; SPILLAGE, CARBON TRANSFER ETC.

VARIOUS COLUMN LENGTHS AND MATERIALS OF CONSTRUCTION ARE AVAILABLE.

CHROME, RUBBER & STAINLESS STEEL ARE SUITED FOR CORROSIVE AND/OR ABRASIVE SUMP APPLICATIONS.



## PUMP ASSEMBLY

- 1 ADJUSTING SCREW
- 2 BEARING ASSEMBLY
- 3 CLAMP WASHER
- 4 CLAMP BOLT
- 5 DISCHARGE Y-PIECE
- 6 BASE
- 7 COLUMN
- 8 SALVIC JOINT
- 9 SHAFT O-RING
- 10 SHAFT SLEEVE
- 11 IMPELLER O-RING
- 12 IMPELLER
- 13 CASING
- 14 STRAINER
- 15 COTTER
- 16 COVER PLATE
- 17 VOLUTE COVER SEAL